

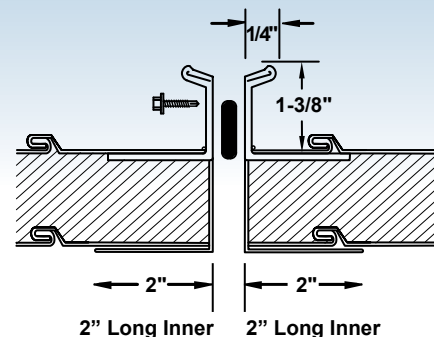
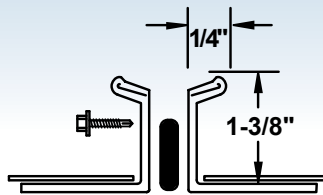
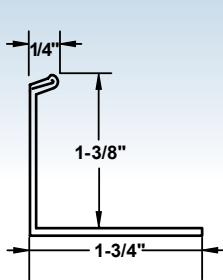
AmeriFlange™

Spec & Submittal

- AmeriFlange™ is a SMACNA equivalent T-24 Reinforcement Class Flange used in the connection of round and flat oval duct and fittings as noted in SMACNA Third Edition - 2005
- AmeriFlange is rated for +/-10" W.G. pressure
- Meets Class 3 leakage system standards
- Suitable for Spiral and Longitudinal seam

DIAMETER	GAUGE	FLANGE TYPE
8" - 72"	18	Round
74" - 96"	16	Round
ALL	18	Flat Oval

The use of the flange connection system, installed and sealed per manufacturers recommendation, is suitable for use on all systems across a range of internal duct pressures from 10" W.G. positive to -10" W. G. negative. *Gasket to be contractor supplied and used at installation for effective seal.



**While SMACNA does not evaluate or endorse proprietary products, they encourage the development of new HVAC products and technology, and set standards and guidelines for products to meet.*

DOUBLEWALL
(SPECIFY 1DW or 2DW)

Type:

Single Wall _____ Double Wall _____

DW Insulation Thickness

1" (1DW) _____
2" (2DW) _____

Material Type:

Galvanized _____

Galvannealed (Paint Grip) _____

Aluminum _____

PVC Coated 4 x 4 _____

PVC Coated 4 x 1 _____

Shape:

Round _____ Flat Oval _____

Date _____

Company Rep/Name _____

Job ID _____

Notes _____



LaPine Metal Products

5142 E. ML Ave. Kalamazoo, MI 49048 • www.lapinemetalproducts.com