

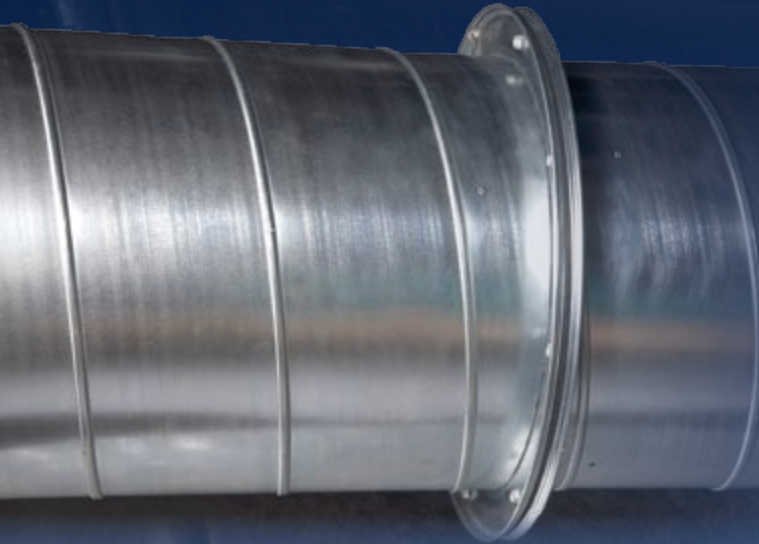
# AmeriFlange™

8"-96" dia. galvanized flange

**In Stock  
Quick Ship**

Factory Direct Pricing

**PHONE (269) 388-5900  
FAX (269) 388-7334**

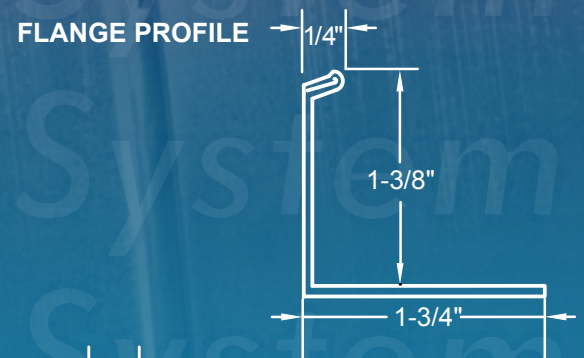


GAUGES	
DIAMETER	GAUGE
8" - 72"	18
74" - 96"	16

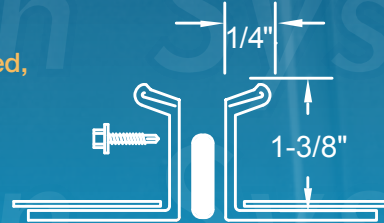
## TOUGH • TIGHT • SECURE

AmeriFlange™ is a SMACNA equivalent T-24 Flange made of 18 gauge galvanized steel and used in the connection of duct and fittings.

- SMACNA equivalent T-24 Flange Profile-Screw Connection
- Meets Class 3 leakage system standards
- AmeriFlange is rated for +/-10" W.G. pressure
- In double wall applications, LaPineFlange DW is provided with an inner flange concentrically attached or loose allowing for the same assembly as the SW Flange
- In Stock: Galvanized Round sizes 8" and larger - 16" and larger offered with a hemmed edge in Galvanized only
- Minimum 14" available for Stainless Steel flange
- Non stock flange include: Round and Flat Oval: PVC Coated, Stainless Steel, Galvannealed, and Aluminum



# 10 TEK SCREW



THE USE OF THE FLANGE CONNECTION SYSTEM, INSTALLED AND SEALED PER MANUFACTURER'S RECOMMENDATION, IS SUITABLE FOR USE ON ALL SYSTEMS ACROSS A RANGE OF INTERNAL DUCT PRESSURES FROM 10" W.G. POSITIVE TO 10" W.G. NEGATIVE



**LaPine** Metal Products